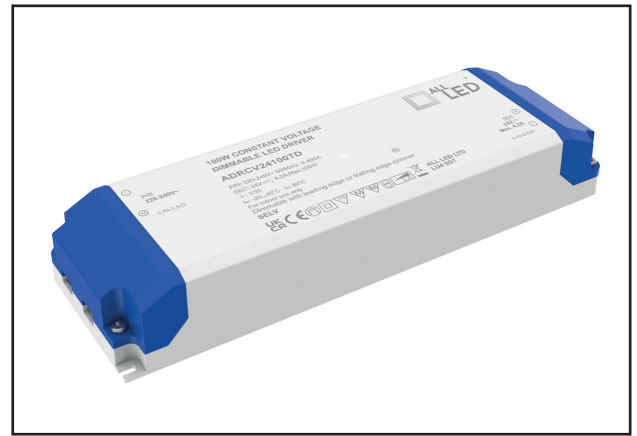


## ADRCV24100TD

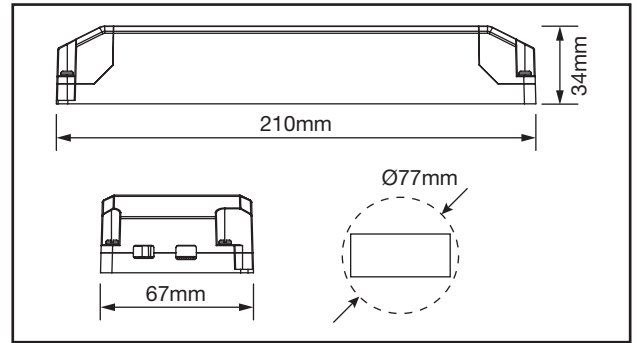
100W 24V DC Constant Voltage  
Triac Dimmable LED Driver

# Drive24



### PRODUCT FEATURES

- Compatible With Trailing & Leading Edge Dimmers
- Tough Polycarbonate Body
- Loop-In - Loop-Out Design
- Large Terminals
- Overload Protection
- No Load Protection
- Short Circuit Protection
- Thermal Protection
- Overcurrent Protection



### TECHNICAL SPECIFICATIONS

| PRODUCT CODE                       | ADRCV24100TD       |
|------------------------------------|--------------------|
| Operating Voltage                  | 220-240V AC        |
| Operating Current (A max)          | 0.495              |
| Max Output Power                   | 5 - 100W           |
| Output Current (Max)               | 4.2A               |
| Output Voltage                     | 24V DC             |
| Power Factor                       | 0.95               |
| Efficiency %                       | 88%                |
| No Load Power (W)                  | <0.5W              |
| Class                              | II                 |
| Body Material                      | Polycarbonate      |
| Frame Colour                       | White              |
| Switching Cycles                   | 100,000            |
| Ingress Protection                 | IP20               |
| Ambient Operating Temperature (°C) | -20°C ~ +45°C      |
| Input Frequency (Hz)               | 50-60Hz            |
| Guarantee                          | 5 Years            |
| Dimmable                           | Yes                |
| Dimming Mode (Trailing or Leading) | Trailing & Leading |
| Output Type                        | Constant Voltage   |
| Lifetime                           | 50,000 Hrs         |
| Start Up Time                      | <0.5s              |
| Inrush Current A pk (TH & ms)      | 20 (th=100µs)      |

